



Application

- It is used for water circulation in all kinds of small domestic swimming pools. Slightly dirty water with solids in suspension can be perfectly filtered.

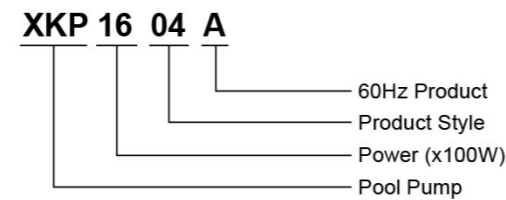
Pump

- Engineering plastic pump body
- Liquid temperature: +5 ~ +50°C
- Max.suction: 5 m

Motor

- Insulation class: F
- Protection class: IPX5

Identification Codes

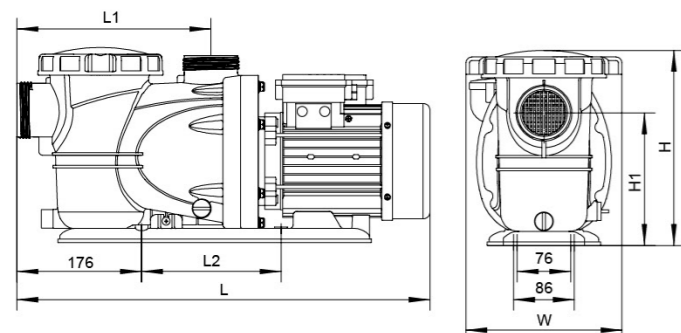


Technical Data

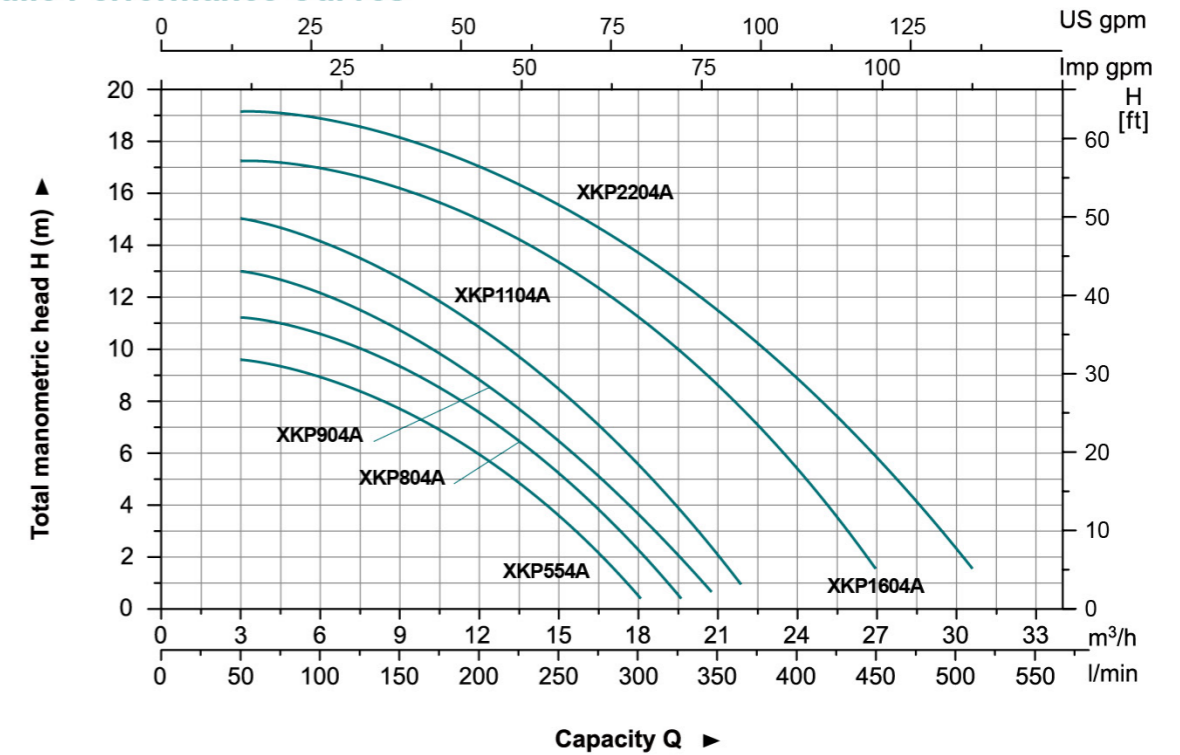
Model	Power W	Q(m³/h) Q(l/min)	3	6	9	12	15	18	21	24	27	30
			H (m)									
XKP554A	600		9.9	9.4	8.8	6.3	3.5	0.7	-	-	-	-
XKP804A	800		11.9	11.2	10.1	8.2	5.4	2.3	-	-	-	-
XKP904A	900		13.8	12.5	11.2	9.8	7	3.8	-	-	-	-
XKP1104A	1100		15.6	14.5	13.2	12.1	9.1	5.8	2.1	-	-	-
XKP1604A	1600		17.9	17.7	17.1	16.3	14.2	12	9	5.8	1.2	-
XKP2204A	2200		19.9	19.6	19.1	18.3	16.8	14.8	12	9.2	6	2.2

Dimension

Model	L (mm)	W (mm)	H (mm)	L1 (mm)	L2 (mm)	H1 (mm)
XKP554A	554	220	278	276	197	187
XKP804A	554	220	278	276	197	187
XKP904A	554	220	278	276	197	187
XKP1104A	554	220	278	276	197	187
XKP1604A	584	220	278	276	197	187
XKP2204A	584	220	278	276	197	187

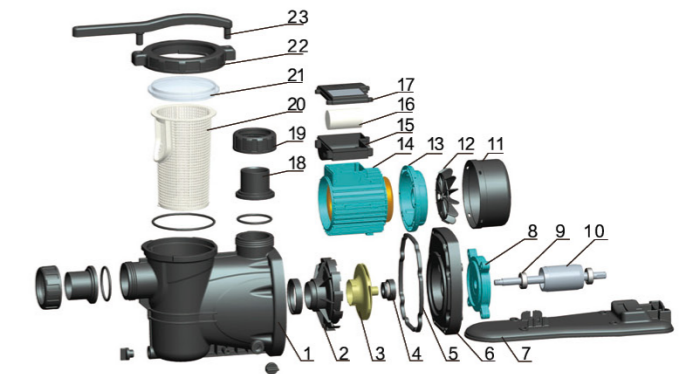


Hydraulic Performance Curves



Materials Table

No.	Part	No.	Part
1	Pump body	14	Motor stator
2	Diffuser	15	Terminal box
3	Impeller	16	Capacitor
4	Mechanical seal	17	Terminal cover
5	Switch seal washer	18	Water outlet connector
6	Plastic rack	19	Nut
7	Bottom board	20	Sieve
8	Pump support	21	Pump cover
9	Ball bearing	22	Pump cover nut
10	Rotor	23	Wrench
11	Fan cover		
12	Fan		
13	End plate		



Package Information

Model	GW (Kgs)	L (mm)	W (mm)	H (mm)	Quantity (PCS/20'EU)
XKP554A	10.1	605	205	290	816
XKP804A	11	605	205	290	816
XKP904A	11.6	605	205	290	816
XKP1104A	12.1	605	205	290	816
XKP1604A	15.9	645	230	290	720
XKP2204A	17.9	645	230	290	720

