



Application

- Can be used to transfer clean water or other liquids similar to water in physical and chemical properties
- Suitable for small living water supply, automatic water sprinkler system, small air conditioner system or supporting equipment etc.

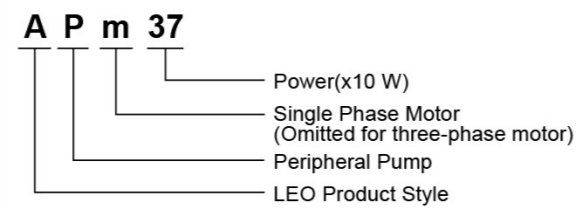
Pump

- Special anti-rust treatment for cast iron pump body and support
- Anti-block system for impeller
- Brass impeller
- AISI 304 shaft
- Max. liquid temperature: +60°C
- Max. suction: 8 m

Motor

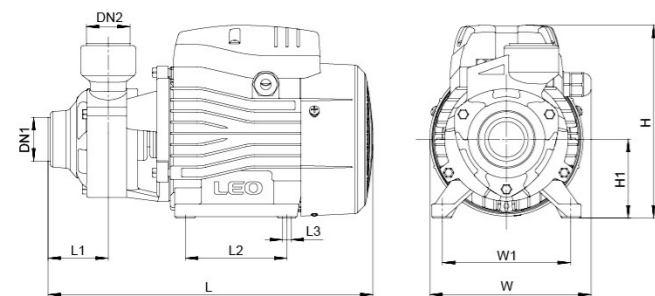
- Low noise&Long life bearing
- Built-in thermal protector for single phase motor
- Insulation class: F
- Protection class: IPX4
- Max. ambient temperature: +40°C

Identification Codes



Technical Data

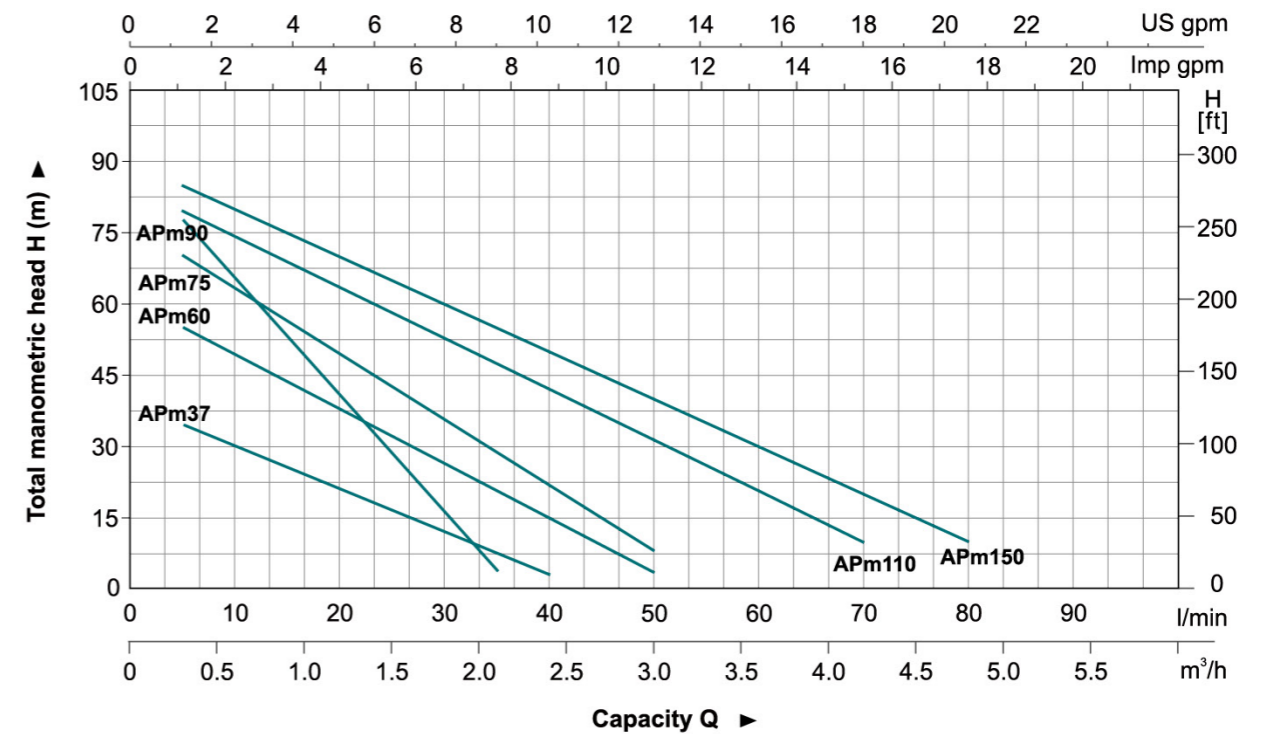
Model		Power		Q(m³/h)	0	0.3	0.6	0.9	1.2	1.5	1.8	2.1	2.4	3.0	3.6	4.2	4.8	
Single Phase	Three Phase	kW	HP	Q(l/min)	0	5	10	15	20	25	30	35	40	50	60	70	80	
APm37	-	0.37	0.5	H(m)	40	35	30	25	20	15	10	8	-	-	-	-	-	
APm60	-	0.6	0.8		60	55	50	40	35	30	25	20	10	5	-	-	-	-
APm75	-	0.75	1.0		75	70	60	50	45	35	28	22	15	5	-	-	-	-
APm90	-	0.75	1.0		90	75	60	50	35	25	15	5	-	-	-	-	-	-
APm110	AP110	1.1	1.5		85	80	75	65	60	55	50	45	40	30	18	10	-	-
APm150	AP150	1.5	2.0		90	86	80	75	70	65	60	55	50	40	30	20	10	-



Dimension

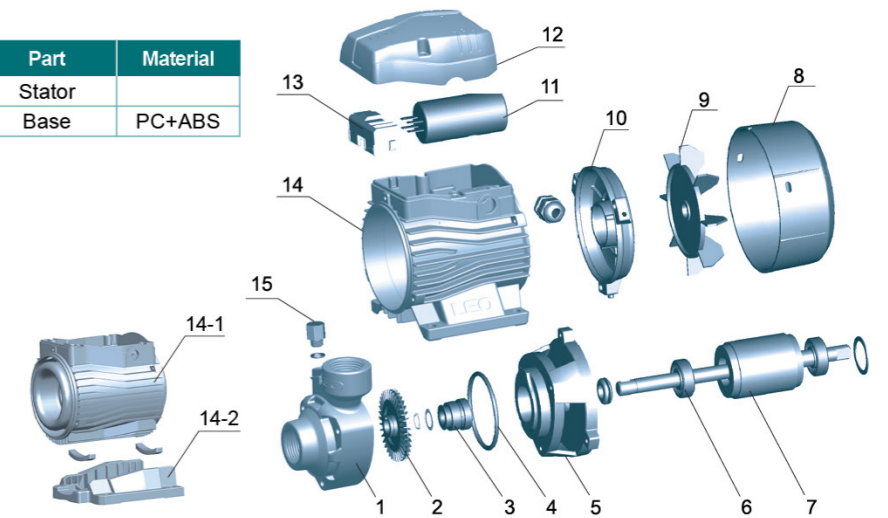
Model	DN1	DN2	L (mm)	W (mm)	H (mm)	L1 (mm)	L2 (mm)	L3 (mm)	W1 (mm)	H1 (mm)
APm37			260	132	155	46.5	80	8.5	100	63
APm60	1"	1"	282	147	183	51	90	8.5	112	71
APm75			300	147	183	54.5	90	8.5	112	71
APm90	3/4"	3/4"	297	147	183	50	90	8.5	112	71
APm110	1"	1"	336	165	210	56	100	9	125	86
APm150	1"	1"	338	165	210	56	100	9	125	86

Hydraulic Performance Curves



Materials Table

No.	Part	Material	No.	Part	Material
1	Pump body	HT 200	14-1	Stator	
2	Impeller	Brass	14-2	Base	PC+ABS
3	Mechanical seal	Carbon/Ceramic			
4	O-ring	NBR			
5	Support	HT200			
6	Bearing				
7	Rotor				
8	Fan cover	PP			
9	Fan	PP			
10	Rear cover	ZL102			
11	Capacitor				
12	Terminal box	PA6-GF25			
13	Terminal board	PC			
14	Stator				
15	Filling plug	HPb59-1			



Package Information

Model	GW (Kgs)	L (mm)	W (mm)	H (mm)	Quantity (PCS/20'TEU)
APm37	5.5	283	158	171	3132
APm60	9.0	315	190	210	2365
APm75	10.5	335	190	210	2222
APm90	10.5	335	190	210	2222
APm110	15.9	370	210	235	1230
APm150	16.5	370	210	235	1230

